



KONICA MINOLTA



Your Digital  
Productivity Tool

# DRYPRO

MODEL 832  
Laser Imager

The essentials of imaging

# DRYPRO

MODEL 832

## *Small and Sophisticated*

The DRYPRO 832 is the perfect dry film imager to complement your imaging department and your transition to digital. With superior image quality, versatility, performance, and a compact design, the DRYPRO 832 meets the demanding hardcopy requirements of today's evolving, efficiency-driven imaging departments.



### **Why is the DRYPRO 832 Dry Laser Imager your digital productivity tool?**

Because now you can get faster print throughput even in a lower print volume environment... now you can get laser technology in a smaller footprint... and now you can get flexible configurations that are easy to use. The result: lower cost of ownership while incorporating the most advanced technology.

With our new technology, you also get Konica Minolta's industry leading reliability and commitment to customer satisfaction. Let the DRYPRO 832 be your digital productivity tool and deliver effortless, cost-effective images.

#### ***Advanced Features:***

- **50 second time to first print** – fastest in the industry
- **Small table-top design** – less than two feet by two feet
- **90 sheets per hour throughput** – enough bandwidth for most imaging environments
- **Laser technology** – stable, consistent, and high resolution – 78.6 micron pixel
- **One or two film trays**
- **Five film sizes** – 14" x 17", 14" x 14", 11" x 14", 10" x 12", and 8" x 10"

## *50 Seconds...*

*Why Wait for Your Films?*

# The DRYPRO 832 Laser Imager

## Versatile

Five film sizes are available – 14 x 17 in., 14 x 14 in., 11 x 14 in., 10 x 12 in., and 8 x 10 in., and by installing an additional supply unit (optional), two trays can be used to offer two film sizes at the same time.

An external print server (aka Printlink V), included with the imager, efficiently processes and queues DICOM print requests. Additionally, our Printlink III solutions receive images from legacy, non-DICOM modalities (digital or video) and output images via DICOM. And by supporting gigabit network speeds, the system handles multiple images very efficiently, maximizing productivity.



## User Friendly

The DRYPRO 832 is very user friendly. It is easy to use, warms up quickly, and is very quiet. Film loading and routine care are simply performed by the user through easy access panels.

A clearly visible status light changes color to indicate “Ready”, “Printing”, and “Film Empty” conditions. This way you can recognize the system status from a distance.



## Advanced Technology

The world's smallest medical laser imager utilizes advanced technology to maximize reliability without sacrificing performance.

- A linear heating system (no more heat drum) enhances durability and stability while saving space.
- A semiconductor laser and precision optics are merged to produce 78.6  $\mu\text{m}$  pixel size resulting in sharp, high-definition films.
- Shorter film path — minimizes the time to print — only 50 seconds!



***The result: outstanding image quality while maintaining excellent productivity.***



## Dry Laser Film For The DRYPRO 832

Konica Minolta's Silver Dry Process films are designed specially for use with the DRYPRO 832. Halation prevention technology uses new materials for sharper, clearer images with high maximum density and optimized contrast characteristics. A new complex micro emulsion consisting of photosensitive silver halide and photosensitive organic silver achieves ideal dry processing. Konica Minolta's dry laser films are available in tinted (SD-Q) and clear base (SD-QC). The film is daylight-packaged and comes 125 sheets per box.

### Specifications of DRYPRO MODEL 832\*

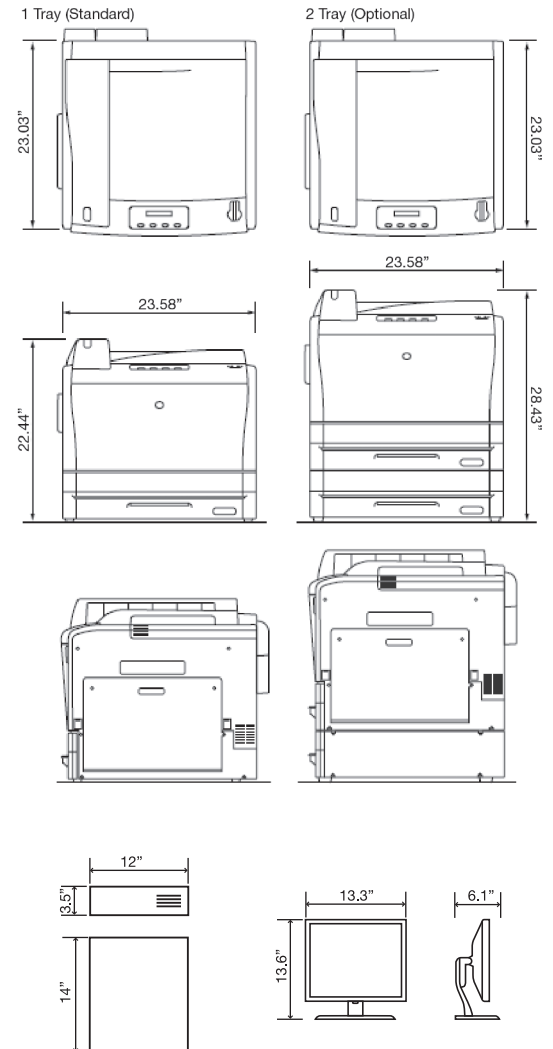
<b>Laser Source</b>	Semiconductor laser (Class 1 Laser Product)
<b>Film Size</b>	14" x 17" (35 x 43cm), 14" x 14" (35 x 35cm), 11" x 14" (28 x 35cm), 10" x 12" (25 x 30cm) and 8" x 10" (20 x 25cm) selectable
<b>Film</b>	Dry imaging recording film SD-Q / SD-QC
<b>Image Format</b>	1, 2, 4, 6, 8, 9, 12, 15, 16, 20, 24, 25, 30, 35, 36, 42, 48, 54, 60, 63, 64
<b>Image Memory</b>	Print memory (64MB / standard)
<b>Pixel Size</b>	78.6µ
<b>Image Data Input</b>	8 bit / 12 bit
<b>Output Gradation</b>	16384 levels (14 bits)
<b>Image Mode</b>	Pixel replication / Function interpolation process
<b>Processing Capability</b>	90 sheets / hour
<b>First Printing Time</b>	Less than 50 seconds
<b>Input Interface</b>	Ethernet 10BaseT / 100BaseTX / 100BaseT
<b>External Connection</b>	Connection to external computer (Printlink for Drypro / CS-2/3)
<b>Supply</b>	1 tray (standard), 2 tray maximum (optional)
<b>Border Processing</b>	Black/white
<b>Trimmed Frame</b>	Available
<b>Density Correction</b>	Automatic via built-in densitometer
<b>Positive / Negative</b>	Available
<b>Operating Condition</b>	15° - 30°C (59° - 86°F) 30% - 70% RH
<b>Power</b>	UL: 120V AC ±10% 60Hz ±1Hz 10A CE: 220-240V AC ±10% 50/60Hz ±1Hz 6A
<b>Heat Generation</b>	UL: 1200KJ/H or less; CE: 1400KJ/H or less
<b>Noise Level</b>	In print mode: 53 dB or less; In standby mode: 45dB or less
<b>Dimensions</b>	23.58" (W) x 23.03" (D) x 22.44" (H) (with 1 Tray) 23.58" (W) x 23.03" (D) x 28.43" (H) (with 2 Trays)
<b>Weight</b>	Approximately 209 lbs. (with 1 tray); Approximately 257 lbs. (with 2 trays)
<b>Accessories</b>	Power Cable, Operation Manual, Cutter (for film loading)

\*Specifications are subject to change without notice.

### PRINTLINK FOR DRYPRO MODEL 832

<b>Protocol</b>	DICOM Print Management
<b>DICOM Connection</b>	Print Service Class (Basic Gray Scale) / Presentation LUT Service Class / Storage Service Class
<b>Number of Input / Output Channel</b>	8 channels maximum (7 input channels maximum when 1 DRYPRO 832 is connected)
<b>Dimensions</b>	CPU: 12" (W) x 14" (D) x 3.5" (H) Display: 13.3" (W) x 6.1" (D) x 13.6" (H)

### Outer Dimensions



### Konica Minolta's Commitment to Customer Satisfaction

At Konica Minolta, your complete satisfaction is our number one goal. From pre-installation through the lifetime of your investment, our professional staff provides the technical expertise you need. Project Management, Applications Training, and Field Services are different teams of Konica Minolta professionals that work together to maintain your continued satisfaction over the lifetime of your investment.

Maximize your investment in CR equipment by selecting the right Blue Moon CR Lifecycle Products and Customer Satisfaction Agreements to ensure the ongoing operational excellence and productivity that your department needs.



KONICA MINOLTA

KONICA MINOLTA MEDICAL IMAGING USA, INC.  
411 NEWARK POMPTON TURNPIKE  
WAYNE, NJ 07470  
TEL: (973) 633-1500 FAX: (973) 523-7408  
WEBSITE: [medical.konicaminolta.us](http://medical.konicaminolta.us)